



PROFESSIONAL  
LIGHTING  
SOLUTIONS  
ENERGY STAR RATED LED

**KICHLER**

## Ready for Anything

You expect a lot from the lighting products you choose for non-residential settings. With Kichler's new high-use LED fixtures we've got you covered from every angle. Our durable LED construction delivers both low-cost operation and superior light output. In addition, Kichler's extensive inventory and distribution network offers the dependability you need for every project.

## Low Cost Operation

Apartments, Offices and Hospitality structures require high standards for their lighting – and so do we. Our high-use LEDs are designed for 24/7 operation, delivering excellent light distribution for a fraction of energy costs of incandescent or even fluorescent. Every fixture has been tested to ensure it maintains both light performance and a low operating temperature, even in high-use applications. With a 40,000-hour driver/module warranty, that equates to 5 years of worry-free operation.



Ceiling LED 10786 NILED | Page 4



## LED INDOOR LIGHTING

CEILING

4-6



SCONCE

7



BATH & VANITY

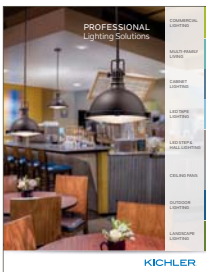
9-10



## LED OUTDOOR LIGHTING

OUTDOOR

11



Refer also to our Professional Lighting Solutions full line catalog (K916) for our complete lighting assortment for your next project.

IES files for these fixtures are available online.

GET INSPIRED AT  
**KICHLERPRO.COM**  
For more information call  
**866.558.5706**



Like us on Facebook: [facebook.com/Kichler.Lighting](https://www.facebook.com/Kichler.Lighting)  
Follow us on twitter: [twitter.com/kichlerlight](https://twitter.com/kichlerlight)  
Find us on Pinterest: [pinterest.com/kichlerstyle](https://www.pinterest.com/kichlerstyle)  
Join us on Houzz: [houzz.com/pro/kichlerlighting/kichler](https://www.houzz.com/pro/kichlerlighting/kichler)  
Watch us on YouTube: [youtube.com/KichlerLighting](https://www.youtube.com/KichlerLighting)

INDOOR



**A** | 10784 NILED, OZLED  
Acrylic Diffuser



**B** | 10786 NILED, OZLED  
Acrylic Diffuser



COORDINATING SCONCE 10790  
See page 7

ITEM #	FINISH	LIGHT SOURCE	LUMENS SOURCE/DELIVERED	LED COLOR AND EFFICACY	DIMENSIONS	EXT.	HCWO	NOTES
A 10784	NILED, OZLED	23W LED	1660/1280	3000K, 90 CRI, 57 LPW	11.75W x 3.5H	3.5	6	May be inst. on wall or ceiling.
B 10786	NILED, OZLED	34W LED	2530/1790	3000K, 90 CRI, 55 LPW	17.75W x 4.25H	4.25	8.75	May be inst. on wall or ceiling.

Measurements shown in inches. U.S. & Canada Patent Pending.



**A** | 10755 WHLED  
Acrylic Diffuser



**B** | 10760 WHLED  
Acrylic Diffuser



**C** | 10761 WHLED  
Acrylic Diffuser



**D** | 10763 NILED  
Acrylic Diffuser



**E** | 10764 NILED  
Acrylic Diffuser



**F** | 10765 NILED  
Acrylic Diffuser



**G** | 10885 NILED  
Acrylic Diffuser



**H** | 10886 NILED  
Acrylic Diffuser

ITEM #	FINISH	LIGHT SOURCE	LUMENS SOURCE/DELIVERED	LED COLOR AND EFFICACY	DIMENSIONS	EXT.	HCWO	NOTES
A	10755 WHLED	15W LED	1371/1040	3000K, 90 CRI, 70 LPW	10.75W x 4H	4	5.5	May be installed on wall or ceiling.
B	10760 WHLED	20W LED	1932/1450	3000K, 90 CRI, 73 LPW	14W x 4H	4	6.75	May be installed on wall or ceiling.
C	10761 WHLED	25W LED	2438/1800	3000K, 90 CRI, 71 LPW	16W x 4.25H	4.25	8	May be installed on wall or ceiling.
D	10763 NILED	16W LED	1210/930	3000K, 90 CRI, 59 LPW	11.5W x 3H	3	5.75	May be installed on wall or ceiling.
E	10764 NILED	23W LED	1660/1300	3000K, 90 CRI, 57 LPW	14.5W x 3.75H	3.75	7.25	May be installed on wall or ceiling.
F	10765 NILED	34W LED	2530/1860	3000K, 90 CRI, 57 LPW	17.75W x 4.5H	4.5	8.75	May be installed on wall or ceiling.
G	10885 NILED	23W LED	1660/1070	3000K, 90 CRI, 47 LPW	13W x 4.25H	4.25	6.5	With Linen Shade.
H	10886 NILED	34W LED	2530/1500	3000K, 90 CRI, 45 LPW	17.25W x 4.25H	4.25	8.75	With Linen Shade.

Measurements shown in inches. U.S. & Canada Patent Pending.

INDOOR



**A** | 43848 NILED27T   
43848 NILED30T



**B** | 43848 OZLED27T   
43848 OZLED30T

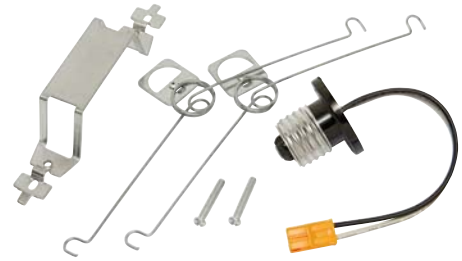
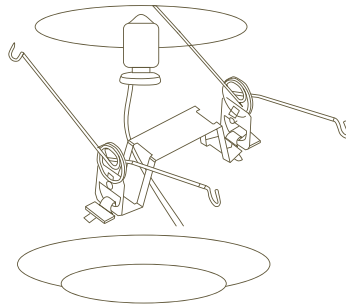


**C** | 43848 WHLED27T   
43848 WHLED30T

The Kichler Low-Profile LED Downlight is an excellent alternative to recessed lighting.

- Rests flush against the ceiling for a seamless aesthetic
- Quick J-Box installation for new construction
- Retrofit kits available to cover existing cans with renovations
- High delivered lumens
- Broader foot candle than a recessed can

**4146 LED RETROFIT FOR 43848**



Retrofit kit

\* Non-T24 versions also available – same model number without the “T”.

ITEM #	FINISH	LIGHT SOURCE	LUMENS SOURCE/ DELIVERED	LED COLOR AND EFFICACY	DIMENSIONS	NOTES
A 43848NILED27T	NI	15W LED	1067/921	2700K, 90 CRI, 66 LPW	7.5W x 1.25H	Retrofit ceiling adapter 4146LED. Dimmable.
A 43848NILED30T	NI	15W LED	1140/985	3000K, 90 CRI, 66 LPW	7.5W x 1.25H	Retrofit ceiling adapter 4146LED. Dimmable.
B 43848OZLED27T	OZ	15W LED	1067/921	2700K, 90 CRI, 66 LPW	7.5W x 1.25H	Retrofit ceiling adapter 4146LED. Dimmable.
B 43848OZLED30T	OZ	15W LED	1140/985	3000K, 90 CRI, 66 LPW	7.5W x 1.25H	Retrofit ceiling adapter 4146LED. Dimmable.
C 43848WHLED27T	WH	15W LED	1067/921	2700K, 90 CRI, 66 LPW	7.5W x 1.25H	Retrofit ceiling adapter 4146LED. Dimmable.
C 43848WHLED30T	WH	15W LED	1140/985	3000K, 90 CRI, 66 LPW	7.5W x 1.25H	Retrofit ceiling adapter 4146LED. Dimmable.

Measurements shown in inches. U.S. & Canada Patent Pending.



**A** | 10421 SNLED  
Acrylic Diffuser



**B** | 10438 NCHLED  
Acrylic Diffuser



**C** | 10439 NCHLED  
Acrylic Diffuser



**D** | 10620 NILED  
Acrylic Diffuser



**E** | 10630 NILED  
Acrylic Diffuser



**F** | 10795 NILED  
Acrylic Diffuser



**G** | 10797 NILED  
Acrylic Diffuser



**H** | 10790 NILED, OZLED  
Acrylic Diffuser



**J** | 11141 NILED  
Polycarbonate Diffuser

ITEM #	FINISH	LIGHT SOURCE	LUMENS SOURCE/DELIVERED	LED COLOR AND EFFICACY	DIMENSIONS	EXT.	HCWO	NOTES
A 10421	SNLED	16W LED	1210/910	3000K, 90 CRI, 57 LPW	12W x 10H	4	5	With Linen Shade.
B 10438	NCHLED	8W LED	560/420	3000K, 90 CRI, 58 LPW	5.5W x 14.25H	3.75	5.25	With Linen Shade.
C 10439	NCHLED	16W LED	1210/870	3000K, 90 CRI, 55 LPW	11W x 14.25H	3.75	5.25	With Linen Shade.
D 10620	NILED	16W LED	1210/790	3000K, 90 CRI, 51 LPW	13W x 9.5H	4	5	
E 10630	PNLED	16W LED	1210/770	3000K, 90 CRI, 49 LPW	15W x 5.5H	4	2.75	
F 10795	NILED	16W LED	1210/910	3000K, 90 CRI, 58 LPW	11W x 11.75H	4	6	
G 10797	NILED	16W LED	1210/870	3000K, 90 CRI, 55 LPW	8.25W x 8H	3.5	4.75	
H 10790	NILED, OZLED	16W LED	1210/900	3000K, 90 CRI, 58 LPW	11.75W x 6H	3.5	2.5	
J 11141	NILED	10W LED	915/930	3000K, 90 CRI, 63 LPW	12.75W x 4.5H	4	2.25	May be installed vert. or horiz.

Measurements shown in inches. U.S. & Canada Patent Pending.

## INDOOR



BATH LED 11143 NILED | Page 9

## Superior Light Output

On building exteriors, down hallways, inside offices or in living spaces - Kichler offers quality. Each fixture comes with an Energy Star rating, as well as Title 24 (JA8-2016) and FCC Compliance – a testament to the quality of light and efficacy delivered.

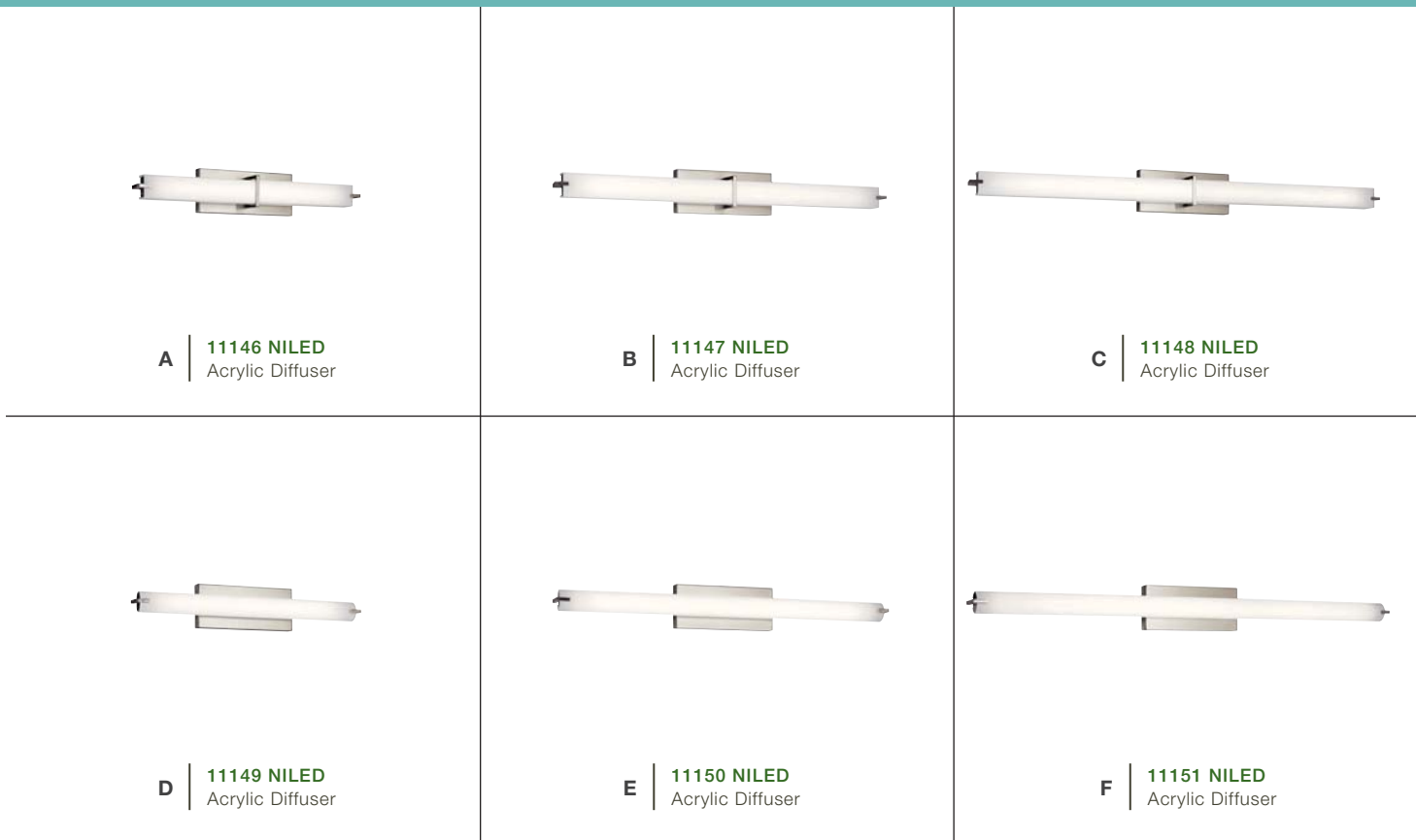
## Extensive Inventory and Distribution

We've built our infrastructure around delivering the right product on your schedule. Our four regional distribution centers offer world-class operations and on-time product delivery coast-to-coast. Kichler stocks over 3,000 products, allowing us to maintain an order fill rate of over 95%. We also offer quick response options for any out-of-stock situations and 48-hour shipment when your schedule demands it.

Why choose LED over fluorescent or Xenon? With low-wattage operation and a lasting light source, the long-term value adds up:

	LED	Fluorescent/ Xenon
Quality of light	✓	
Color temperature options	✓	✓
Output options	✓	✓
Low wattage operation	✓	
Long-lasting light	✓	





120V/277V

These six DC vanity fixtures feature 120V - 277V operation. At 120V, the fixtures are dimmable utilizing a Triac Dimmer; at 277V with 3rd wire dimmers.

ITEM #	FINISH	LIGHT SOURCE	LUMENS SOURCE/DELIVERED	LED COLOR AND EFFICACY	DIMENSIONS	EXT.	HCWO	NOTES	
A	11146	NILED	21W LED	1750/1490	3000K, 90 CRI, 70 LPW	25.75W x 4.75H	4.25	2.25	May be installed vert. or horiz.
B	11147	NILED	25W LED	2100/1850	3000K, 90 CRI, 75 LPW	37.5W x 4.75H	4.25	2.25	May be installed vert. or horiz.
C	11148	NILED	36W LED	3200/2680	3000K, 90 CRI, 75 LPW	49.25W x 4.75H	4.25	2.25	May be installed vert. or horiz.
D	11149	NILED	20W LED	1750/1470	3000K, 90 CRI, 73 LPW	25.5W x 4.75H	4	2.25	May be installed vert. or horiz.
E	11150	NILED	25W LED	2100/1900	3000K, 90 CRI, 78 LPW	37.25W x 4.75H	4	2.25	May be installed vert. or horiz.
F	11151	NILED	36W LED	3200/2810	3000K, 90 CRI, 78 LPW	49W x 4.75H	4	2.25	May be installed vert. or horiz.

Measurements shown in inches. U.S. & Canada Patent Pending.

INDOOR



**A** | **11141 NILED**  
Polycarbonate Diffuser



**B** | **11142 NILED**  
Polycarbonate Diffuser



**C** | **11143 NILED**  
Polycarbonate Diffuser



**D** | **11144 NILED**  
Polycarbonate Diffuser



**E** | **10797 NILED**  
Acrylic Diffuser



**F** | **10798 NILED**  
Acrylic Diffuser



**G** | **10799 NILED**  
Acrylic Diffuser



**H** | **10800 NILED**  
Acrylic Diffuser

ITEM #	FINISH	LIGHT SOURCE	LUMENS SOURCE/DELIVERED	LED COLOR AND EFFICACY	DIMENSIONS	EXT.	HCWO	NOTES
A	11141	NILED 10W LED	915/630	3000K, 90 CRI, 63 LPW	12.75W x 4.5H	4	2.25	Ⓧ Ⓡ Ⓢ May be installed vert. or horiz.
B	11142	NILED 20W LED	1810/1390	3000K, 90 CRI, 70 LPW	24.75W x 4.5H	4	2.25	Ⓧ Ⓡ Ⓢ May be installed vert. or horiz.
C	11143	NILED 25.5W LED	2416/1880	3000K, 90 CRI, 73 LPW	36.5W x 4.5H	4	2.25	Ⓧ Ⓡ Ⓢ May be installed vert. or horiz.
D	11144	NILED 38W LED	3572/2810	3000K, 90 CRI, 74 LPW	48.75W x 4.5H	4	2.25	Ⓧ Ⓡ Ⓢ May be installed vert. or horiz.
E	10797	NILED 16W LED	1210/870	3000K, 90 CRI, 55 LPW	8.25W x 8H	3.5	4.75	Ⓧ Ⓡ Ⓢ
F	10798	NILED 32W LED	2420/1740	3000K, 90 CRI, 54 LPW	19.25W x 6H	3.5	3	Ⓧ Ⓡ Ⓢ
G	10799	NILED 49W LED	3630/2640	3000K, 90 CRI, 54 LPW	30W x 6H	3.5	3	Ⓧ Ⓡ Ⓢ
H	10800	NILED 65W LED	4840/3540	3000K, 90 CRI, 55 LPW	40.75W x 6H	3.5	3	Ⓧ Ⓡ Ⓢ

Measurements shown in inches. U.S. & Canada Patent Pending.

# OUTDOOR



## Durable Materials

“Ideal for light commercial use” doesn’t mean lightweight. Our exterior products feature rugged die-cast aluminum with polycarbonate diffusers for vandal-resistant operation.

## Easy Installation

With snap-in connectors or wire nuts, crews can spend less time on the jobsite.



**A** | **11131 AZTLED**  
Polycarbonate Diffuser



**B** | **11132 AZTLED**  
Polycarbonate Diffuser



**C** | **11134 AZTLED**  
Polycarbonate Diffuser



**D** | **11135 AZTLED**  
Polycarbonate Diffuser

All outdoor can be installed on a wall or ceiling.

ITEM #	FINISH	LIGHT SOURCE	LUMENS SOURCE/DELIVERED	LED COLOR AND EFFICACY	DIMENSIONS	EXT.	HCWO	NOTES
A 11131	AZTLED	16W LED	1210/840	3000K, 90 CRI, 54 LPW	9W x 2.75H	2.75	4.5	May be installed on wall or ceiling.
B 11132	AZTLED	23W LED	1660/1220	3000K, 90 CRI, 54 LPW	11W x 3H	3	5.5	May be installed on wall or ceiling.
C 11134	AZTLED	16W LED	1210/740	3000K, 90 CRI, 48 LPW	9W x 3.25H	3.25	4.5	May be installed on wall or ceiling.
D 11135	AZTLED	23W LED	1660/1060	3000K, 90 CRI, 47 LPW	11W x 3.5H	3.5	5.5	May be installed on wall or ceiling.

Measurements shown in inches. U.S. & Canada Patent Pending.



Featured on Front Cover:  
10790 NILED, 10786 NILED, page 4  
Back Cover:  
11132 AZTLED, 11135 AZTLED, page 11

**KICHLER.**

GET INSPIRED AT  
**KICHLERPRO.COM**  
For more information call  
**866.558.5706**

[www.kichlerpro.com](http://www.kichlerpro.com)  
Printed in USA  
16CM4348-45M  
© The L.D. Kichler Co. All rights reserved.  
Kichler® The majority of newer Kichler fixtures  
are U.S. and Canadian Patent Pending.