

INCLUDED FEATURES

Blades (3) Included

- 10° Pitch
- 18" Sweep
- Non-reversible
- Steel

Downrods N/A

Downlight N/A

Downlight Glass N/A

Optional Downlight N/A

Uplight N/A

Uplight Glass N/A

Low Ceiling Adaptable No

Control Pull Chain

INCLUDED CONTROLS

PULL CHAIN

- 3-Speeds
- Oscillating



BLADE SPECS

Blade Finish & Part Number (Side 1)	Fan Finish (Reversible)
--	----------------------------



FAN FEATURES

Mounting Slope – Pitch Flat ceiling only

Lead Wire

cUL Listed Wet

Hanging Weight 25.4 lbs.

Body Material Steel

Warranty Limited Lifetime

MOTOR FEATURES

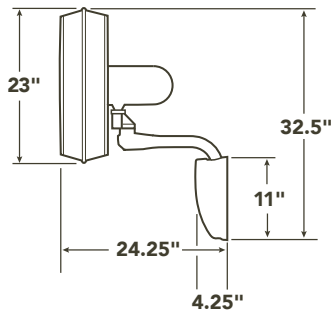
Motor Size/Type PSC127-625C, AC

Amps 2 on High

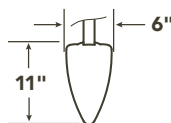
RPM 0 on High

Energy Star® No

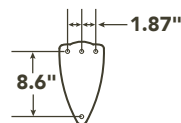
HANGING MEASUREMENTS



Overall Fan Dimensions



Wall Bracket Dimensions



Mounting Bracket